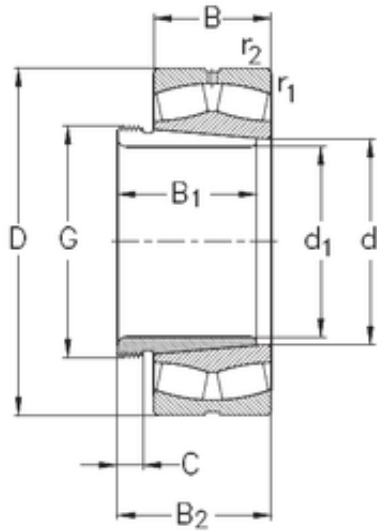




Bearing equipment manufacturing Co., Ltd



400 mm x 600 mm x 200 mm NKE
24080-K30-MB-W33+AH24080 spherical roller bearings

Bearing No. 24080-K30-MB-W33+AH24080

24080-K30-MB-W33+AH24080 Bearing 2D drawings and 3D CAD models

Size	400x600x200 mm
Bore Diameter	400 mm
Outer Diameter	600 mm
Width	200 mm
d	400 mm
d1	380 mm
D	600 mm
B	200 mm
C	200 mm
r1 min.	5 mm
r2 min.	5 mm
B1	228 mm
B2	248 mm
C	28 mm
Thread (G)	Tr 420x5
Weight	227 Kg
Basic dynamic load rating (C)	3767 kN
Basic static load rating (C0)	8049 kN
Limiting speed	900 r/min
Calculation factor (e)	0,29
Calculation factor (Y0)	2,26
Calculation factor (Y1)	1,8