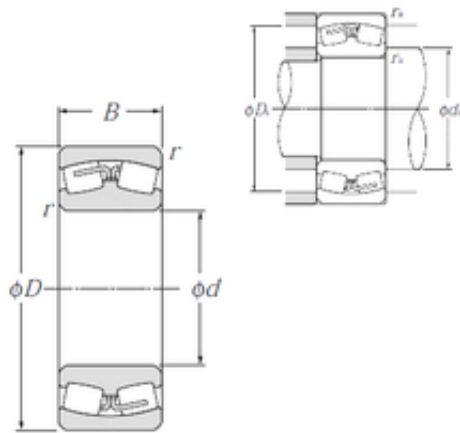




Bearing equipment manufacturing Co., Ltd



300 mm x 540 mm x 192 mm NTN 23260B spherical roller bearings

Bearing No. 23260B

23260B Bearing 2D drawings and 3D CAD models

Size	300x540x192 mm
Bore Diameter	300 mm
Outer Diameter	540 mm
Width	192 mm
d	300 mm
D	540 mm
B	192 mm
C	192 mm
r min.	5 mm
da min.	322 mm
Da max.	518 mm
ra max.	4 mm
Weight	193 Kg
Basic dynamic load rating (C)	3 450 kN
Basic static load rating (C0)	6 000 kN
(Grease) Lubrication Speed	560 r/min
(Oil) Lubrication Speed	730 r/min
Calculation factor (e)	0,36
Calculation factor (Y0)	1,83
Calculation factor (Y1)	1,88
Category	Bearings
Inventory	0.0
Manufacturer Name	NTN
Minimum Buy Quantity	N/A
Weight / Kilogram	210



Bearing equipment manufacturing Co., Ltd

EAN	4547359522433
Product Group	B04311