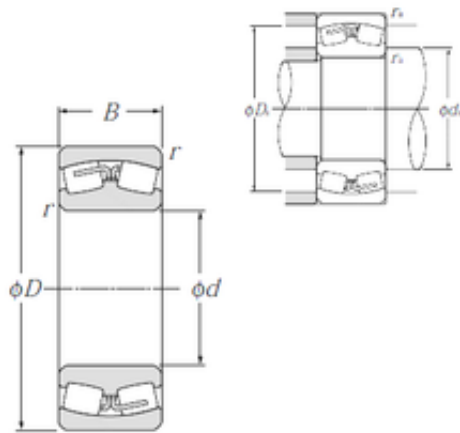




Bearing equipment manufacturing Co., Ltd



220 mm x 460 mm x 145 mm NTN 22344B
spherical roller bearings

Bearing No. 22344B

22344B Bearing 2D drawings and 3D CAD models

Size	220x460x145 mm
Bore Diameter	220 mm
Outer Diameter	460 mm
Width	145 mm
d	220 mm
D	460 mm
B	145 mm
C	145 mm
r min.	5 mm
da min.	242 mm
Da max.	438 mm
ra max.	4 mm
Weight	117 Kg
Basic dynamic load rating (C)	2 350 kN
Basic static load rating (C0)	3 500 kN
(Grease) Lubrication Speed	770 r/min
(Oil) Lubrication Speed	1 000 r/min
Calculation factor (e)	0,33
Calculation factor (Y0)	2,02
Calculation factor (Y1)	2,06
Category	Bearings
Inventory	0.0
Manufacturer Name	NTN
Minimum Buy Quantity	N/A
Weight / Kilogram	0



Bearing equipment manufacturing Co., Ltd

EAN	4547359520507
Product Group	B04311