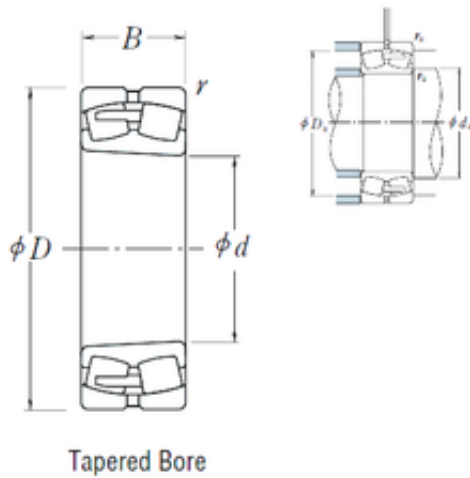




Bearing equipment manufacturing Co., Ltd



800 mm x 1150 mm x 345 mm NSK
240/800CAK30E4 spherical roller bearings

Bearing No. 240/800CAK30E4

| | |
|-------------------------------|-----------------|
| Size | 800x1150x345 mm |
| Bore Diameter | 800 mm |
| Outer Diameter | 1150 mm |
| Width | 345 mm |
| d | 800 mm |
| D | 1150 mm |
| B | 345 mm |
| C | 345 mm |
| r min. | 7,5 mm |
| da min. | 836 mm |
| Da min | 1029 mm |
| Da max. | 1114 mm |
| ra max. | 6 mm |
| Weight | 1130 Kg |
| Basic dynamic load rating (C) | 10900 kN |
| Basic static load rating (C0) | 26300 kN |
| (Grease) Lubrication Speed | 160 r/min |
| (Oil) Lubrication Speed | 200 r/min |
| Calculation factor (e) | 0,27 |
| Calculation factor (Y0) | 2,5 |
| Calculation factor (Y2) | 3,7 |

240/800CAK30E4 Bearing 2D drawings and 3D CAD models