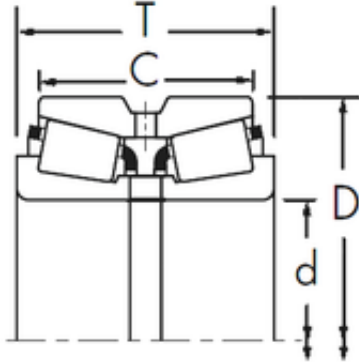




Bearing equipment manufacturing Co., Ltd

Timken 3779/3729D+X1S-3779 tapered roller bearings



Bearing No. 3779/3729D+X1S-3779

Size	47.625x93.264x65.088 mm
Bore Diameter	47,625 mm
Outer Diameter	93,264 mm
Width	65,088 mm
d	47,625 mm
D	93,264 mm
T	65,088 mm
C	52,388 mm
R	3,5 mm
r	0,8 mm

3779/3729D+X1S-3779 Bearing 2D drawings and 3D CAD models