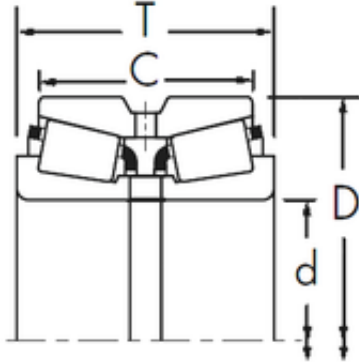




Bearing equipment manufacturing Co., Ltd

Timken 558/552D+X1S-558 tapered roller bearings

Bearing No. 558/552D+X1S-558



558/552D+X1S-558 Bearing 2D drawings and 3D CAD models

Size	60.325x123.825x79.375 mm
Bore Diameter	60,325 mm
Outer Diameter	123,825 mm
Width	79,375 mm
d	60,325 mm
D	123,825 mm
T	79,375 mm
C	63,5 mm
R	2,3 mm
r	1,5 mm