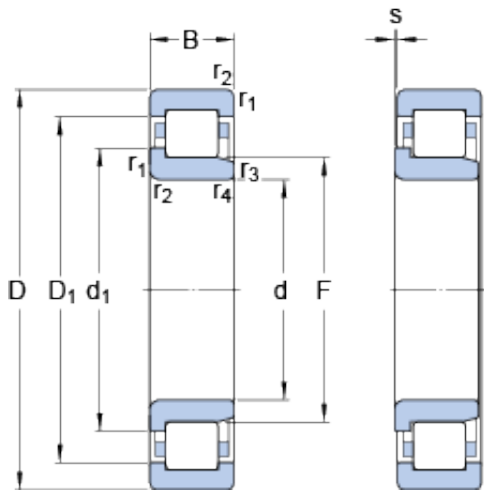




Bearing equipment manufacturing Co., Ltd



NJ 311 ECJ Bearing 2D drawings and 3D CAD models

55 mm x 120 mm x 29 mm SKF NJ 311 ECJ thrust ball bearings

Bearing No. NJ 311 ECJ

Size	120x55x29 mm
Bore Diameter	120 mm
Outer Diameter	55 mm
Width	29 mm
d	55 mm
D	120 mm
B	29 mm
d ₁	77.5 mm
D ₁	100.3 mm
F	70.5 mm
r _{1,2} - min.	2 mm
r _{3,4} - min.	2 mm
s	2 mm
d _a - min.	65 mm
d _a - max.	68 mm
d _b - min.	80 mm
D _a - max.	109.2 mm
r _a - max.	2 mm
Basic dynamic load rating - C	156 kN
Basic static load rating - C ₀	143 kN
Fatigue load limit - P _u	18.6 kN
Reference speed	6000 r/min
Limiting speed	7000 r/min
Calculation factor - k _r	0.15



Bearing equipment manufacturing Co., Ltd

Category	Cylindrical Roller Bearings
Inventory	0.0
Manufacturer Name	SKF
Minimum Buy Quantity	N/A
Weight / Kilogram	1.569
EAN	7316577034915
Product Group	B04144
Bore Profile	Straight
Cage Material	Steel
Precision Class	RBEC 1 ISO P0
Number of Rows of Rollers	Single Row
Separable	Inner Ring - One Side
Rolling Element	Cylindrical Roller Bearing
Profile	Complete with Outer and Inner Ring
Snap Ring	No
Internal Clearance	C0-Medium
Retainer	Yes
Relubricatable	Yes
Inch - Metric	Metric
Other Features	High Capacity 1 Rib Inner Ring 2 Rib Outer Ring Cage on Outer Ring ID
Long Description	55MM Bore; Straight Bore Profile; 120MM Outside Diameter; 29MM Width; Steel Cage Material; RBEC 1 ISO P0; Single Row; Inner Ring - One Side Separable; No Snap Ring; Relubricatable; C0-Medium Intern
Category	Cylindrical Roller Bearing
UNSPSC	31171547
Harmonized Tariff Code	8482.50.00.00
Noun	Bearing



Bearing equipment manufacturing Co., Ltd

Manufacturer URL	http://www.skf.com
Manufacturer Item Number	NJ 311 ECJ
Weight / LBS	3.457
Outside Diameter	4.724 Inch 120 Millimeter
Bore	2.165 Inch 55 Millimeter
Width	1.142 Inch 29 Millimeter
bore diameter:	55 mm
static load capacity:	143 kN
outside diameter:	120 mm
precision rating:	Not Rated
overall width:	29 mm
maximum rpm:	7000 RPM
flanges:	(2) Outer Ring, (1) Inner Ring
bearing material:	Steel
bore type:	Straight
cage material:	Steel
number of rows:	1
finish/coating:	Uncoated
internal clearance:	C0
closure type:	Open
ring separation:	Separable Ring
outer ring width:	29 mm
operating temperature range:	Maximum of +300 ° F
fillet radius:	2 mm
dynamic load capacity:	156 kN
series:	NJ3
d ₁	77.5 mm
D ₁	100.3 mm
r _{1,2} min.	2 mm
r _{3,4} min.	2 mm
s max.	2 mm



Bearing equipment manufacturing Co., Ltd

d_a min.	65 mm
d_a max.	68 mm
d_b min.	80 mm
D_a max.	109.2 mm
r_a max.	2 mm
Basic dynamic load rating C	156 kN
Basic static load rating C_0	143 kN
Fatigue load limit P_u	18.6 kN
Calculation factor k_r	0.15
Limiting value e	0.2
Axial load factor Y	0.6
Mass bearing	1.53 kg
Angle ring	HJ311 EC