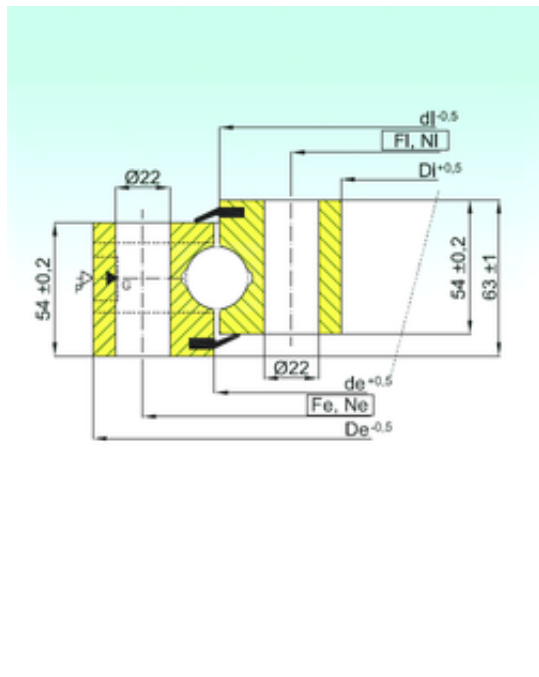




Bearing equipment manufacturing Co., Ltd

ISB NB1.25.1155.200-1PPN thrust ball bearings

Bearing No. NB1.25.1155.200-1PPN



NB1.25.1155.200-1PPN Bearing 2D drawings and 3D CAD models

Size	1055x1255x63 mm
Bore Diameter	1055 mm
Outer Diameter	1255 mm
Width	63 mm
d	1055 mm
D	1255 mm
H	63 mm
de	1154 mm
di	1156 mm
Di	1055 mm
De	1255 mm
Fe	1215 mm
Ne	36 mm
Fi	1095 mm
Ni	36 mm