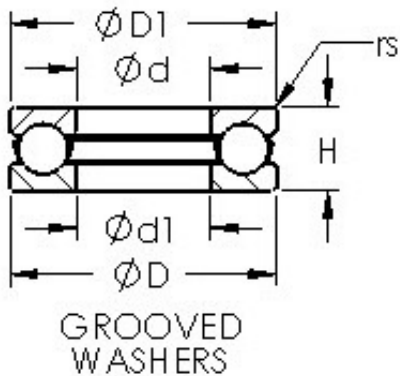




# Bearing equipment manufacturing Co., Ltd



## AST 51306 thrust ball bearings

Bearing No. 51306

Bore Diameter	30 mm
Outer Diameter	60 mm
Bearing Type	with grooved raceway(s)
Bore Dia (d)	30.0000
Outer Dia (D)	60.0000
Radius (min) (rs)	1.000
Static Load Rating (Cor)	78,700
Dynamic Load Rating (Cr)	42,200
Max Speed (Grease) (X1000 RPM)	3
Max Speed (Oil) (X1000 RPM)	4
Height (H)	21.0000
Outer Dia. Pilot (D1)	60.0000
Bore Dia. Clearance (d1)	32.0000
Weight (g)	280.00
Material	52100 chrome steel, or equivalent.

51306 Bearing 2D drawings and 3D CAD models