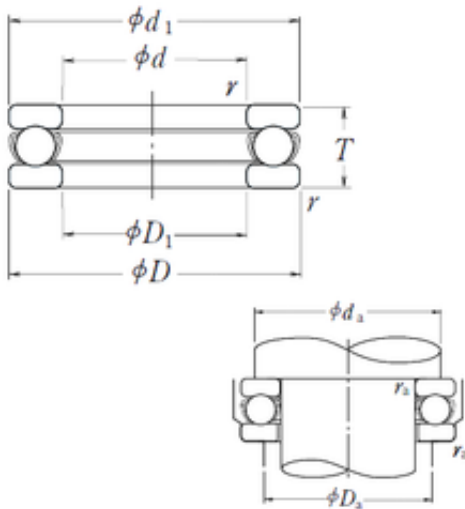




Bearing equipment manufacturing Co., Ltd



51326X Bearing 2D drawings and 3D CAD models

NSK 51326X thrust ball bearings

Bearing No. 51326X

Size	130x225x75 mm
Bore Diameter	130 mm
Outer Diameter	225 mm
Width	75 mm
d	130 mm
D	225 mm
T	75 mm
d1	220 mm
r min.	2,1 mm
D1	134 mm
da min.	186 mm
Da max.	169 mm
ra max.	2 mm
Weight	12,1 Kg
Basic dynamic load rating (C)	350 kN
Basic static load rating (C0)	1030 kN
(Grease) Lubrication Speed	750 r/min
SRI	18
hidYobi	51326X
LangID	1
D_	225
SREX	0.125
C	350
B_	75
hidTable	ecat_NSSDTB
Oil rpm	1100



Bearing equipment manufacturing Co., Ltd

SRE	18
mass	12.1
GRS rpm	750
ra	2
SRIX	0.125
D_a	169
SRIN	0
C0	1030
SREN	0
D_1	134
Prod_Type3	TB_SD_WFS
da	186
DA_	33.338
Z_	15
yobi	51326X
SDM_	177.5
r	2.1
T_	75
KBRG	5111