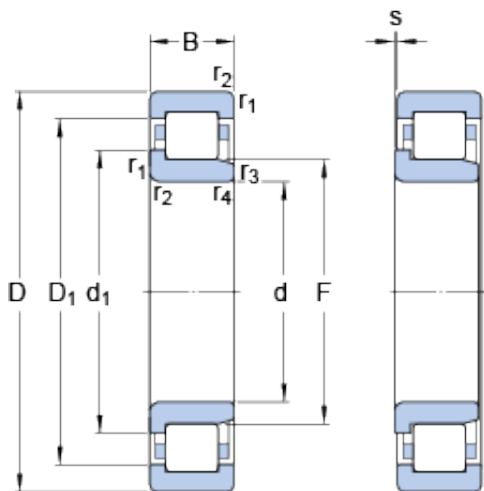




Bearing equipment manufacturing Co., Ltd



150 mm x 225 mm x 35 mm SKF NJ 1030 ML thrust ball bearings

Bearing No. NJ 1030 ML

NJ 1030 ML Bearing 2D drawings and 3D CAD models

Size	225x150x35 mm
Bore Diameter	225 mm
Outer Diameter	150 mm
Width	35 mm
d	150 mm
D	225 mm
B	35 mm
d ₁	176 mm
D ₁	199.05 mm
F	169.5 mm
r _{1,2} - min.	2.1 mm
r _{3,4} - min.	1.5 mm
s	4.9 mm
d _a - min.	157 mm
d _a - max.	167 mm
d _b - min.	180 mm
D _a - max.	215 mm
r _a - max.	2 mm
Basic dynamic load rating - C	198 kN
Basic static load rating - C ₀	290 kN
Fatigue load limit - P _u	31.5 kN
Reference speed	3200 r/min
Limiting speed	5000 r/min
Calculation factor - k _r	0.15



Bearing equipment manufacturing Co., Ltd

d_1	176 mm
D_1	199.05 mm
$r_{1,2}$ min.	2.1 mm
$r_{3,4}$ min.	1.5 mm
s max.	4.9 mm
d_a min.	157 mm
d_a max.	167 mm
d_b min.	180 mm
D_a max.	215 mm
r_a max.	2 mm
Basic dynamic load rating C	198 kN
Basic static load rating C_0	290 kN
Fatigue load limit P_u	31.5 kN
Calculation factor k_r	0.15
Limiting value e	0.2
Axial load factor Y	0.6
Mass bearing	5.05 kg