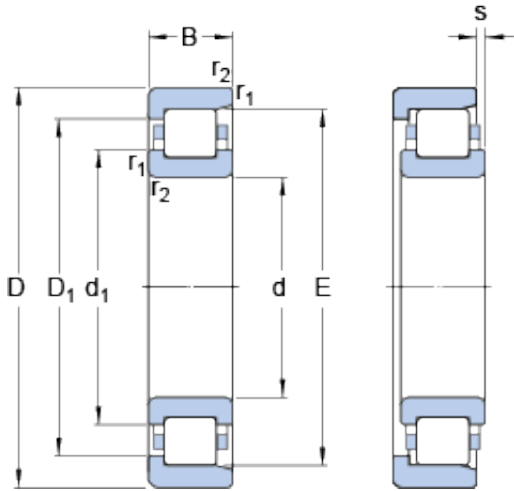




Bearing equipment manufacturing Co., Ltd



380 mm x 480 mm x 40 mm SKF BC1B 322770
A/HB1 thrust ball bearings

Bearing No. BC1B 322770 A/HB1

BC1B 322770 A/HB1 Bearing 2D drawings and 3D CAD models

Size	480x380x40 mm
Bore Diameter	480 mm
Outer Diameter	380 mm
Width	40 mm
d	380 mm
D	480 mm
B	40 mm
d ₁	418 mm
D ₁	444 mm
E	451 mm
r _{1,2} - min.	2.1 mm
s	2 mm
d _a - min.	392 mm
D _a - max.	468 mm
D _b - min.	456 mm
r _a - max.	2 mm
Basic dynamic load rating - C	270 kN
Basic static load rating - C ₀	520 kN
Fatigue load limit - P _u	42.5 kN
Reference speed	1100 r/min
Limiting speed	1300 r/min
Calculation factor - k _r	0.03
d ₁	418 mm
D ₁	444 mm



Bearing equipment manufacturing Co., Ltd

$r_{1,2}$ min.	2.1 mm
s max.	2 mm
d_a min.	392 mm
D_a max.	468 mm
D_b min.	456 mm
r_a max.	2 mm
Basic dynamic load rating C	270 kN
Basic static load rating C_0	520 kN
Fatigue load limit P_u	42.5 kN
Calculation factor k_r	0.03
Limiting value e	0.2
Axial load factor Y	0.6
Mass bearing	18.5 kg