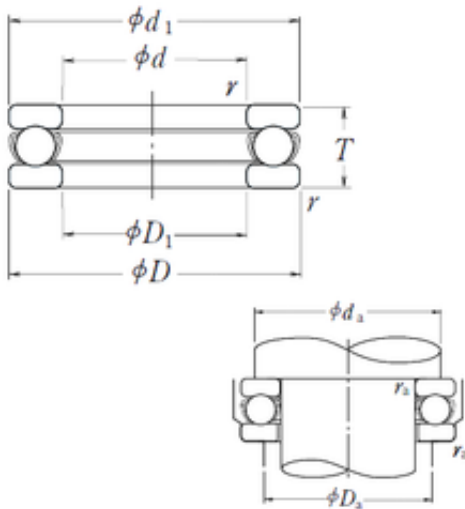




Bearing equipment manufacturing Co., Ltd



NSK 51248X thrust ball bearings

Bearing No. 51248X

| | |
|-------------------------------|---------------|
| Size | 240x340x78 mm |
| Bore Diameter | 240 mm |
| Outer Diameter | 340 mm |
| Width | 78 mm |
| d | 240 mm |
| D | 340 mm |
| T | 78 mm |
| d1 | 335 mm |
| r min. | 2,1 mm |
| D1 | 244 mm |
| da min. | 299 mm |
| Da max. | 281 mm |
| ra max. | 2 mm |
| Weight | 23,7 Kg |
| Basic dynamic load rating (C) | 420 kN |
| Basic static load rating (C0) | 1650 kN |
| (Grease) Lubrication Speed | 560 r/min |
| SRI | 18.85 |
| hidYobi | 51248X |
| LangID | 1 |
| D_ | 340 |
| SREX | 0.125 |
| C | 420 |
| B_ | 78 |
| hidTable | ecat_NSSDTB |
| Oil rpm | 850 |

51248X Bearing 2D drawings and 3D CAD models



Bearing equipment manufacturing Co., Ltd

| | |
|------------|-----------|
| SRE | 18.85 |
| mass | 23.7 |
| GRS rpm | 560 |
| ra | 2 |
| SRIX | 0.125 |
| D_a | 281 |
| SRIN | 0 |
| C0 | 1650 |
| SREN | 0 |
| D_1 | 244 |
| Prod_Type3 | TB_SD_WFS |
| da | 299 |
| DA_ | 34.925 |
| Z_ | 22 |
| yobi | 51248X |
| SDM_ | 290 |
| r | 2.1 |
| T_ | 78 |
| KBRG | 511 |