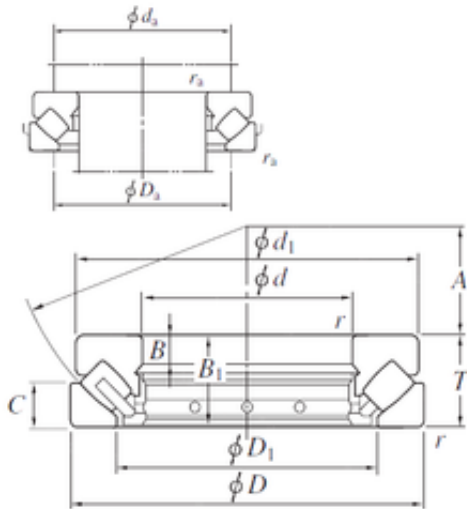




Bearing equipment manufacturing Co., Ltd



29248 Bearing 2D drawings and 3D CAD models

240 mm x 340 mm x 19 mm KOYO 29248
thrust roller bearings

Bearing No. 29248

Size	240x340x60 mm
Bore Diameter	240 mm
Outer Diameter	340 mm
Width	60 mm
d	240 mm
D	340 mm
T	60 mm
d1	330 mm
r min.	21 mm
A	130 mm
B	19 mm
B1	57 mm
C	30 mm
D1	283 mm
da min.	285 mm
Da max.	305 mm
ra max.	2 mm
Weight	167 Kg
Basic dynamic load rating (C)	822 kN
Bearing No.	29248
r(min)	2.1
Ca	1030
Coa	3670
Oil lub.	1250
da(min)	285



Bearing equipment manufacturing Co., Ltd

Da(max)	305
ra(max)	2
(Refer.)Mass(kg)	16.7