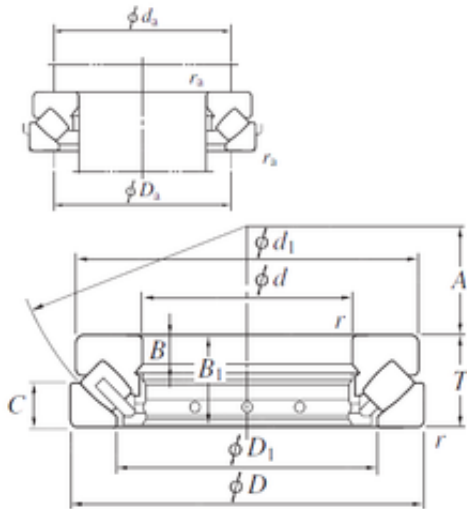




Bearing equipment manufacturing Co., Ltd



29428R Bearing 2D drawings and 3D CAD models

140 mm x 280 mm x 31 mm KOYO 29428R thrust roller bearings

Bearing No. 29428R

Size	140x280x85 mm
Bore Diameter	140 mm
Outer Diameter	280 mm
Width	85 mm
d	140 mm
D	280 mm
T	85 mm
d1	268 mm
r min.	4 mm
A	86 mm
B	31 mm
B1	81 mm
C	41 mm
D1	199 mm
da min.	205 mm
Da max.	235 mm
ra max.	3 mm
Weight	246 Kg
Basic dynamic load rating (C)	1260 kN
Bearing No.	29428R
r(min)	4
Ca	1560
Coa	4080
Oil lub.	1250
da(min)	205



Bearing equipment manufacturing Co., Ltd

Da(max)	235
ra(max)	3
(Refer.)Mass(kg)	24.6