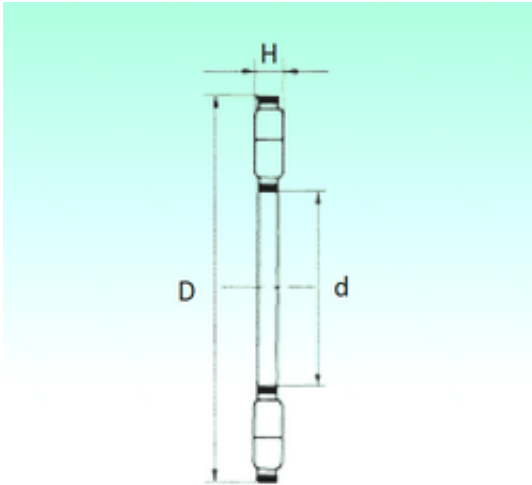




Bearing equipment manufacturing Co., Ltd



NBS K89436-M thrust roller bearings

Bearing No. K89436-M

Bore Diameter	180 mm
Outer Diameter	360 mm
d	180 mm
D	360 mm
Dw	36 mm
Weight	12,2 Kg
Basic dynamic load rating (C)	2200,4 kN
Basic static load rating (C0)	8199,3 kN

K89436-M Bearing 2D drawings and 3D CAD models