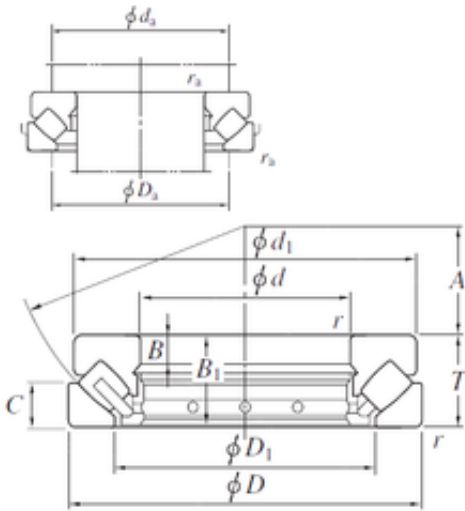




Bearing equipment manufacturing Co., Ltd

200 mm x 340 mm x 29 mm KOYO 29340
thrust roller bearings

Bearing No. 29340



29340 Bearing 2D drawings and 3D CAD models

Size	200x340x85 mm
Bore Diameter	200 mm
Outer Diameter	340 mm
Width	85 mm
d	200 mm
D	340 mm
T	85 mm
d1	325 mm
r min.	4 mm
A	116 mm
B	29 mm
B1	81 mm
C	41 mm
D1	261 mm
da min.	265 mm
Da max.	295 mm
ra max.	3 mm
Weight	312 Kg
Basic dynamic load rating (C)	1360 kN
Bearing No.	29340
r(min)	4
Ca	-
Coa	5040
Oil lub.	1050
da(min)	265



Bearing equipment manufacturing Co., Ltd

Da(max)	295
ra(max)	3
(Refer.)Mass(kg)	31.2