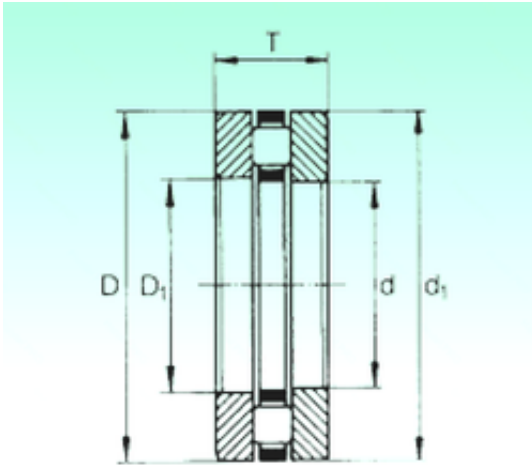




Bearing equipment manufacturing Co., Ltd



81152-M Bearing 2D drawings and 3D CAD models

260 mm x 320 mm x 13,5 mm NBS 81152-M
thrust roller bearings

Bearing No. 81152-M

| | |
|-------------------------------|---------------|
| Size | 260x320x45 mm |
| Bore Diameter | 260 mm |
| Outer Diameter | 320 mm |
| Width | 45 mm |
| d | 260 mm |
| D | 320 mm |
| T | 45 mm |
| d1 | 317 mm |
| B | 13,5 mm |
| D1 | 263 mm |
| Dw | 18 mm |
| Weight | 7,83 Kg |
| Weight | 2,765 Kg |
| Basic dynamic load rating (C) | 619,4 kN |
| Basic static load rating (C0) | 2649,7 kN |