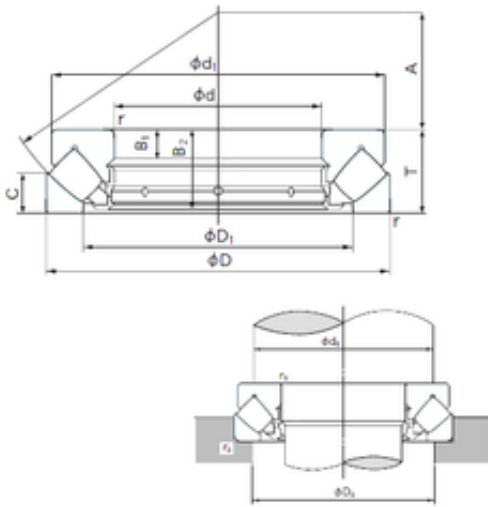




Bearing equipment manufacturing Co., Ltd



400 mm x 620 mm x 44 mm NACHI 29380E
thrust roller bearings

Bearing No. 29380E

Size	400x620x132 mm
Bore Diameter	400 mm
Outer Diameter	620 mm
Width	132 mm
d	400 mm
D	620 mm
T	132 mm
d1	596 mm
r min.	6 mm
A	225 mm
B1	44 mm
B2	127 mm
C	64 mm
D1	494 mm
da min.	500 mm
Da max.	550 mm
ra max.	5 mm
Weight	146 Kg
Basic dynamic load rating (C)	3550 kN
Basic static load rating (C0)	16300 kN
Bore Type	Cylindrical Bore
Enclosure	Open
Configuration	Single Row
Bore Size	400 mm
Outside Diameter	620 mm

29380E Bearing 2D drawings and 3D CAD models



Bearing equipment manufacturing Co., Ltd

Fillet Radius/Chamfer	6 mm
Width	132 mm
Dynamic Load Rating	3,550,000 N
Static Load Rating	16,300,000 N
Limiting Speed - Oil	530 rpm
B	44 mm
da (min)	500 mm
Da (max)	550 mm
ra (max)	5 mm