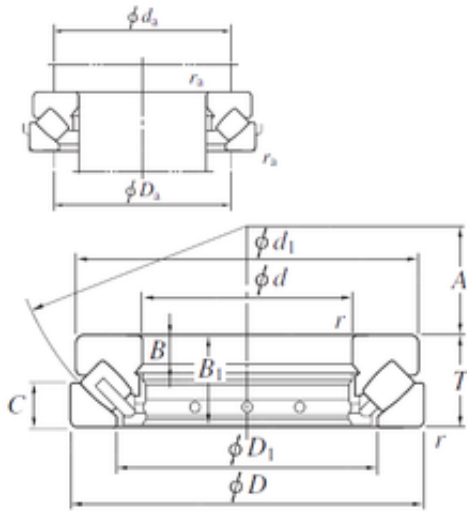




Bearing equipment manufacturing Co., Ltd



29356 Bearing 2D drawings and 3D CAD models

280 mm x 440 mm x 32 mm KOYO 29356
thrust roller bearings

Bearing No. 29356

Size	280x440x95 mm
Bore Diameter	280 mm
Outer Diameter	440 mm
Width	95 mm
d	280 mm
D	440 mm
T	95 mm
d1	423 mm
r min.	5 mm
A	158 mm
B	32 mm
B1	91 mm
C	46 mm
D1	348 mm
da min.	350 mm
Da max.	390 mm
ra max.	4 mm
Weight	532 Kg
Basic dynamic load rating (C)	1760 kN
Bearing No.	29356
r(min)	5
Ca	2200
Coa	6870
Oil lub.	800
da(min)	350



Bearing equipment manufacturing Co., Ltd

Da(max)	390
ra(max)	4
(Refer.)Mass(kg)	53.2