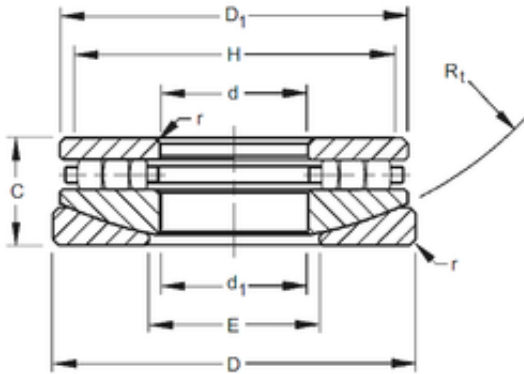




# Bearing equipment manufacturing Co., Ltd

## Timken 100TPS144 thrust roller bearings

Bearing No. 100TPS144



Bore Diameter	254 mm
Outer Diameter	479,425 mm
d	254 mm
D	479,425 mm
r max	6,4 mm
d1	260,36 mm
C	127 mm
D1	454,82 mm
E	304,8 mm
H	435 mm
R	508 mm

100TPS144 Bearing 2D drawings and 3D CAD models