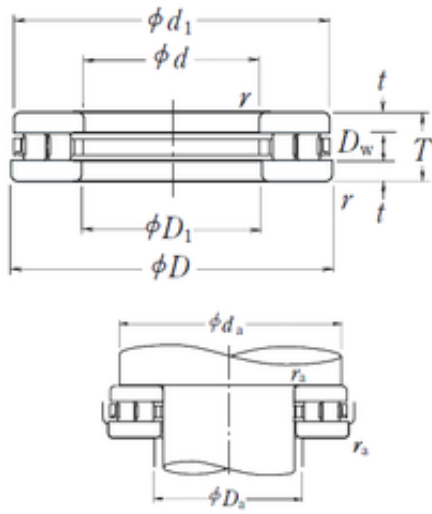




Bearing equipment manufacturing Co., Ltd



NSK 280TMP11 thrust roller bearings

Bearing No. 280TMP11

Size	280x350x53 mm
Bore Diameter	280 mm
Outer Diameter	350 mm
Width	53 mm
d	280 mm
D	350 mm
hidYobi	280TMP11
LangID	1
D_	350
C	545
B_	53
hidTable	ecat_NSCRT
Oil rpm	1000
mass	11.6
d1	347
GRS rpm	340
ra	1.5
D_a	294
C0	2800
D_1	283
Prod_Type3	TB_TCRB_A
da	335
DA_	20
Z_	36
Dw	20
yobi	280TMP11

280TMP11 Bearing 2D drawings and 3D CAD models



Bearing equipment manufacturing Co., Ltd

RAC	145
t	16.5
r	1.5
T_	53
KBRG	4614