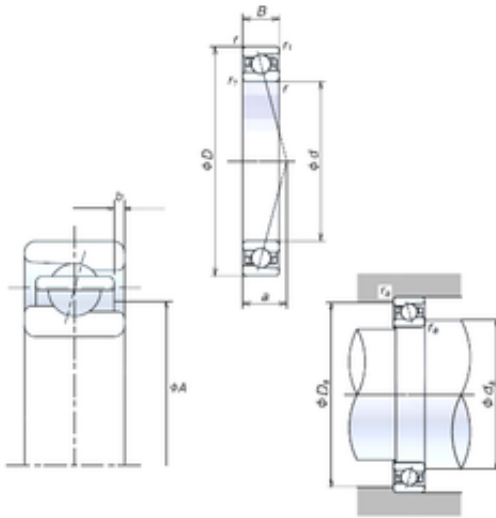




Bearing equipment manufacturing Co., Ltd

65 mm x 100 mm x 18 mm NSK 65BER10H
angular contact ball bearings

Bearing No. 65BER10H



65BER10H Bearing 2D drawings and 3D CAD models

Size	65x100x18 mm
Bore Diameter	65 mm
Outer Diameter	100 mm
Width	18 mm
d	65 mm
D	100 mm
B	18 mm
C	18 mm
Angle (°)	25 °
a	28 mm
b	1,5 mm
r min.	1,1 mm
r1 min.	0,6 mm
A	77,5 mm
da min.	42 mm
Da max.	93 mm
ra max.	1 mm
Weight	0,447 Kg
Basic dynamic load rating (C)	15,5 kN
Basic static load rating (C0)	14,2 kN
(Grease) Lubrication Speed	19400 r/min