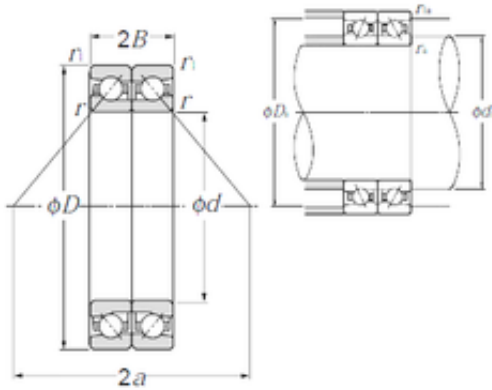




Bearing equipment manufacturing Co., Ltd

85 mm x 130 mm x 20,25 mm NTN HTA017DB
angular contact ball bearings

Bearing No. HTA017DB



HTA017DB Bearing 2D drawings and 3D CAD models

Size	85x130x20.25 mm
Bore Diameter	85 mm
Outer Diameter	130 mm
Width	20,25 mm
d	85 mm
D	130 mm
B	20,25 mm
C	20,25 mm
ra1 max.	0,6 mm
r min.	1,1 mm
r1 min.	0,6 mm
2B	40,5 mm
da min.	95 mm
Da max.	124 mm
ra max.	1 mm
Weight	1,82 Kg
Basic dynamic load rating (C)	51 kN
Basic static load rating (C0)	120 kN
(Grease) Lubrication Speed	5 200 r/min