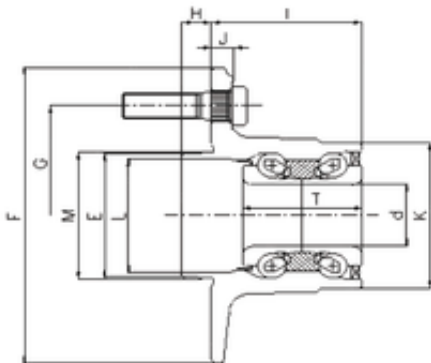




Bearing equipment manufacturing Co., Ltd

ILJIN IJ112034 angular contact ball bearings



Bearing No. IJ112034

Bore Diameter	32 mm
d	32 mm
I	50,5 mm
K	74 mm
E	67 mm
F	139 mm
G	114,3 mm
H	14 mm
J	9 mm
L	57,7 mm
M	57,7 mm
T	42 mm

IJ112034 Bearing 2D drawings and 3D CAD models