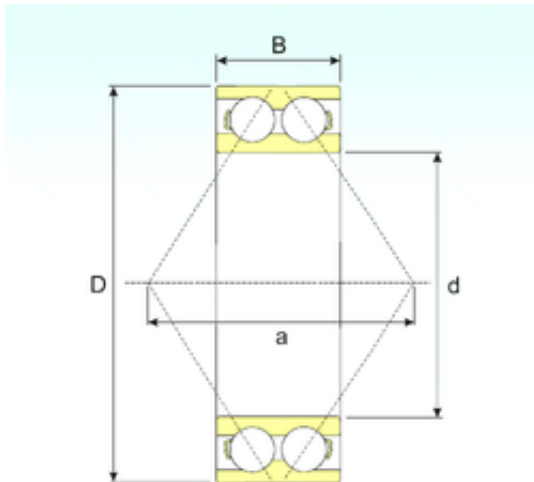




Bearing equipment manufacturing Co., Ltd



17 mm x 40 mm x 17,5 mm CYSD 3203 angular contact ball bearings

Bearing No. 3203

Size	17x40x17.5 mm
Bore Diameter	17 mm
Outer Diameter	40 mm
Width	17,5 mm
d	17 mm
D	40 mm
B	17,5 mm
C	17,5 mm
r min.	0,6 mm
Weight	0,1 Kg
Basic dynamic load rating (C)	13,8 kN
Basic static load rating (C0)	10,8 kN
(Grease) Lubrication Speed	11000 r/min

3203 Bearing 2D drawings and 3D CAD models