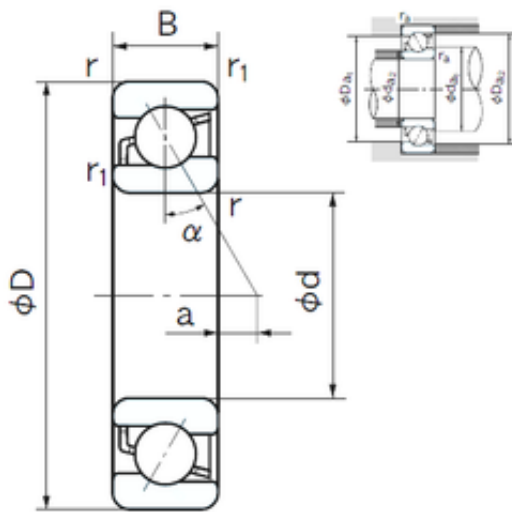




## Bearing equipment manufacturing Co., Ltd



7220 Bearing 2D drawings and 3D CAD models

100 mm x 180 mm x 34 mm NACHI 7220  
angular contact ball bearings

Bearing No. 7220

|                               |                  |
|-------------------------------|------------------|
| Size                          | 100x180x34 mm    |
| Bore Diameter                 | 100 mm           |
| Outer Diameter                | 180 mm           |
| Width                         | 34 mm            |
| d                             | 100 mm           |
| D                             | 180 mm           |
| B                             | 34 mm            |
| C                             | 34 mm            |
| Angle ( ° )                   | 30 °             |
| a                             | 23.4 mm          |
| r min.                        | 2.1 mm           |
| r1 min.                       | 1.1 mm           |
| da min.                       | 112 mm           |
| Da max.                       | 168 mm           |
| ra max.                       | 2 mm             |
| Weight                        | 3.32 Kg          |
| Basic dynamic load rating (C) | 144 kN           |
| Basic static load rating (C0) | 126 kN           |
| (Grease) Lubrication Speed    | 3200 r/min       |
| Configuration                 | Single Row       |
| Enclosure                     | Open             |
| Bore Type                     | Cylindrical Bore |
| Bore Size                     | 100 mm           |
| Outside Diameter              | 180 mm           |
| Width                         | 34 mm            |



## Bearing equipment manufacturing Co., Ltd

|                         |           |
|-------------------------|-----------|
| Fillet Radius/Chamfer   | 2.1 mm    |
| r1                      | 1.1 mm    |
| Dynamic Load Rating     | 144,000 N |
| Static Load Rating      | 126,000 N |
| Limiting Speed - Grease | 3,200 rpm |
| Limiting Speed - Oil    | 4,200 rpm |
| da1 (min)               | 112 mm    |
| da2 (min)               | 107 mm    |
| Da1 (max)               | 168 mm    |
| Da2 (max)               | 173 mm    |
| ra (max)                | 2 mm      |
| ra1 (max)               | 1 mm      |