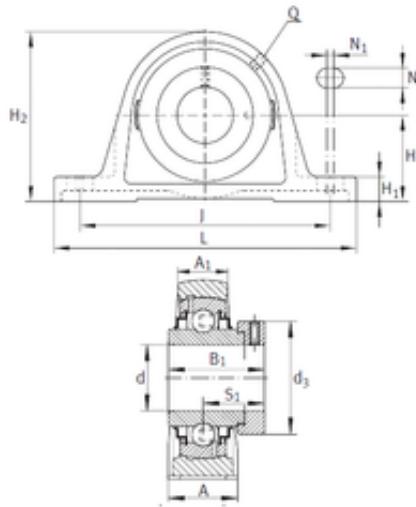




Bearing equipment manufacturing Co., Ltd



INA RAK1/2 bearing units

Bearing No. RAK1/2

Bore Diameter	12,7 mm
d	12,7 mm
S1	23,495 mm
Thread (Q) - 1/4-28 UNF	1/428 UNF
d3	27,991 mm
A	32,004 mm
A1	19 mm
B	37,389 mm
H	27,001 mm
H1	10,795 mm
H2	54,788 mm
J	91,999 mm
L	124,994 mm
N	10,999 mm
N1	10,999 mm
Category	Pillow Block Bearings
Inventory	0.0
Manufacturer Name	SCHAEFFLER GROUP
Minimum Buy Quantity	N/A
Weight / Kilogram	0.551
Product Group	M06110
Number of Mounting Holes	2
Mounting Method	Eccentric Collar
Housing Style	2 Bolt Pillow Block
Rolling Element	Ball Bearing
Housing Material	Cast Iron

RAK1/2 Bearing 2D drawings and 3D CAD models



Bearing equipment manufacturing Co., Ltd

Expansion / Non-expansion	Non-expansion
Relubricatable	Yes
Insert Part Number	G1008KRRB
Seals	Double Land Riding Rubber Contact
Housing Configuration	1 Piece Solid
Inch - Metric	Inch
Other Features	Single Row Low Base With Set Screw
Long Description	2 Bolt Pillow Block; 1/2" Bore; 1-1/16" Base to Center Height; Eccentric Collar Mount; Ball Bearing; 3-3/16" Minimum Bolt Spacing; 4.055" Bolt Spacing Maximum; Relubricatable; Cast
Category	Pillow Block
UNSPSC	31171511
Harmonized Tariff Code	8483.20.40.40
Noun	Bearing
Keyword String	Pillow Block
Manufacturer URL	http://www.ina.com
Manufacturer Item Number	RAK1/2
Weight / LBS	1.213
Length Thru Bore	1.469 Inch 37.3 Millimeter
Bore	0.5 Inch 12.7 Millimeter
Bolt Spacing Minimum	3.189 Inch 81Millimeter
Actual Bolt Center to Center	0 Inch 0Millimeter
Base to Center Height	1.063 Inch 27 Millimeter
Bolt Spacing Maximum	4.055 Inch 103Millimeter
Nominal Bolt Center to Center	3.6 Inch 92 Millimeter