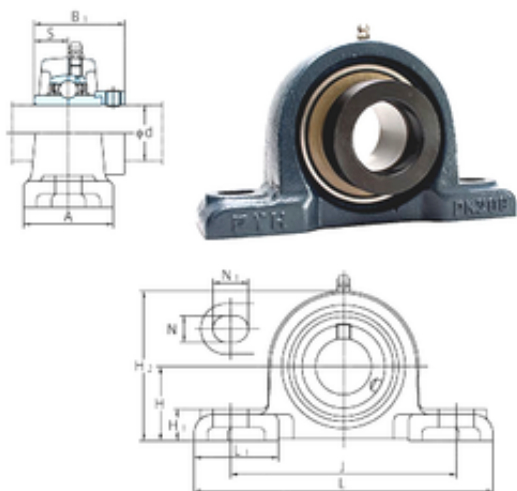




Bearing equipment manufacturing Co., Ltd



FYH NAPK205 bearing units

Bearing No. NAPK205

Bore Diameter	25 mm
d	25 mm
H	33,3 mm
A	44 mm
B1	44,4 mm
H1	16 mm
H2	68 mm
J	105 mm
L	140 mm
L1	45 mm
N	11 mm
N1	14 mm
S	17,5 mm
Bolt (G)	3/8
Weight	1 Kg
Basic dynamic load rating (C)	14 kN
Basic static load rating (C0)	7,85 kN

NAPK205 Bearing 2D drawings and 3D CAD models