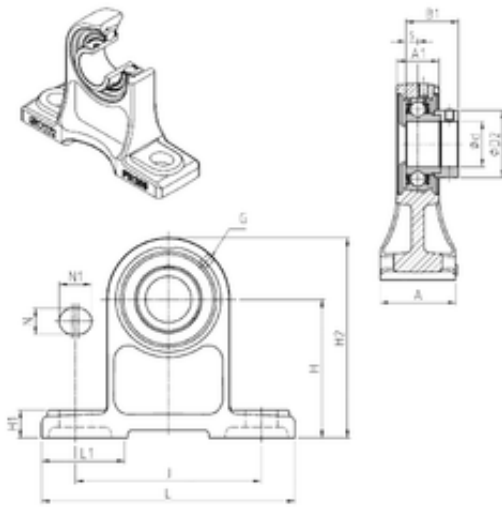




Bearing equipment manufacturing Co., Ltd



SNR ESPH205 bearing units

Bearing No. ESPH205

Bore Diameter	25 mm
d	25 mm
s	7,5 mm
A	50 mm
A1	24 mm
B1	30,9 mm
D2	38,1 mm
H	80 mm
H1	16 mm
H2	114 mm
J	105 mm
L	140 mm
L1	50 mm
N	13 mm
N1	19 mm
Thread (G)	M6x1
Weight	1,2 Kg
Basic dynamic load rating (C)	14 kN

ESPH205 Bearing 2D drawings and 3D CAD models