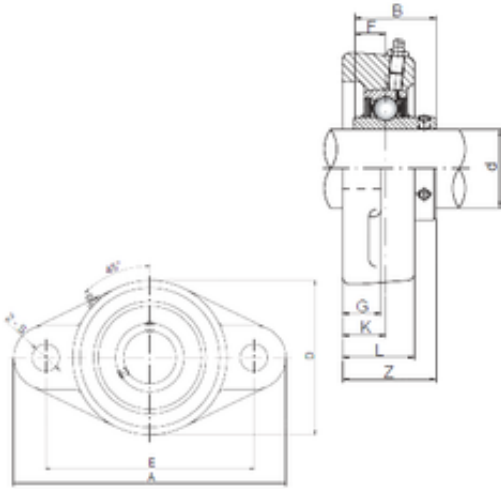




Bearing equipment manufacturing Co., Ltd

95 mm x 250 mm x 103 mm ISO UCFL319 bearing units

Bearing No. UCFL319



UCFL319 Bearing 2D drawings and 3D CAD models

Bore Diameter	95 mm
d	95 mm
B	103 mm
Z	121 mm
A	405 mm
D	250 mm
E	330 mm
F	41 mm
G	40 mm
K	59 mm
L	94 mm
S	41 mm
Bolt (G)	M36