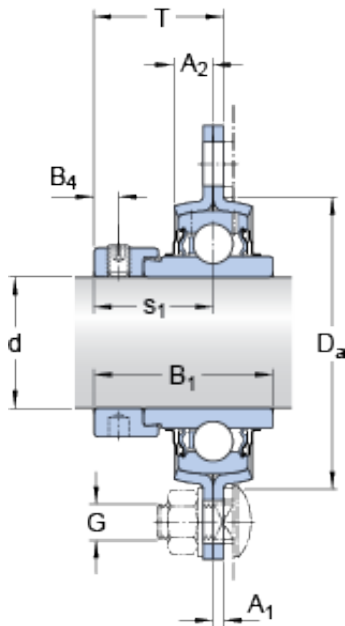




## Bearing equipment manufacturing Co., Ltd



PF 50 WF Bearing 2D drawings and 3D CAD models

### SKF PF 50 WF bearing units

Bearing No. PF 50 WF

Size	50x4x11 mm
Bore Diameter	50 mm
Outer Diameter	4 mm
Width	11 mm
d	50 mm
A <sub>1</sub>	4 mm
A <sub>2</sub>	11 mm
B	49.2 mm
B <sub>4</sub>	6.75 mm
D <sub>a</sub> - min.	98 mm
J	127 mm
H	155 mm
H	13.5 mm
s <sub>1</sub>	38.1 mm
T	42.1 mm
Basic dynamic load rating - C	35.1 kN
Basic static load rating - C <sub>0</sub>	23.2 kN
Fatigue load limit - P <sub>u</sub>	0.98 kN
Permissible radial housing load	max. 9 kN
Weight	1.7 kg
Thread - G <sub>2</sub>	M10x1
Hexagonal key size for grub screw - H	5 mm
Housing material	Pressed steel



## Bearing equipment manufacturing Co., Ltd

A <sub>1</sub>	4 mm
A <sub>2</sub>	11 mm
B <sub>4</sub>	6.75 mm
D <sub>a</sub> min.	98 mm
N	13.5 mm
s <sub>1</sub>	38.1 mm
Basic dynamic load rating C	35.1 kN
Basic static load rating C <sub>0</sub>	23.2 kN
Fatigue load limit P <sub>u</sub>	0.98 kN
Permissible radial housing load max.	9 kN
Mass unit	1.7 kg
Thread grub screw G <sub>2</sub>	M10x1
Hexagonal key size for grub screw N	5 mm
Recommended tightening torque for grub screw	16.5 N · m
Recommended diameter for attachment bolts, mm G	12 mm
Recommended diameter for attachment bolts, inch G	0.5 in
Bearing	YEL 210-2F
Housing	PF 90