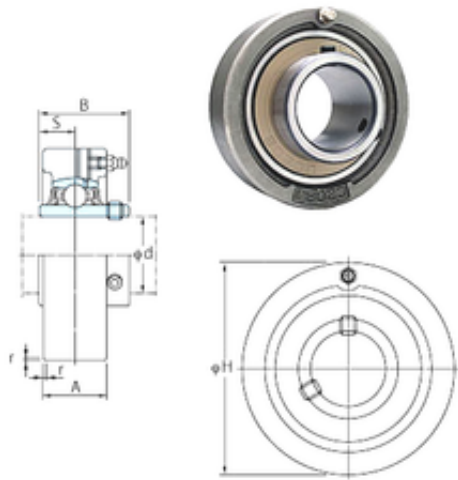




## Bearing equipment manufacturing Co., Ltd



### FYH UCC328 bearing units

Bearing No. UCC328

Bore Diameter	140 mm
Width	145 mm
d	140 mm
r	6 mm
A	100 mm
B	145 mm
H	360 mm
S	59 mm
Weight	52,9 Kg
Basic dynamic load rating (C)	253 kN
Basic static load rating (C0)	246 kN

UCC328 Bearing 2D drawings and 3D CAD models