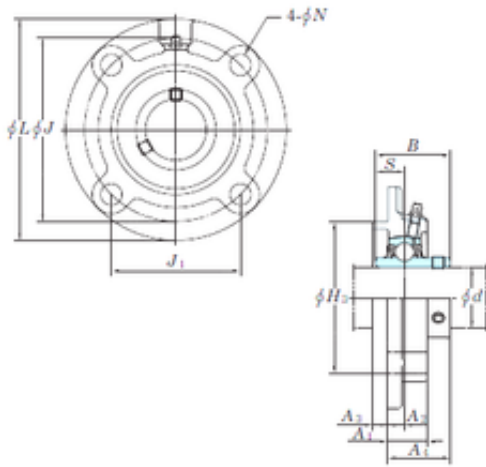




Bearing equipment manufacturing Co., Ltd



UCFCX08 Bearing 2D drawings and 3D CAD models

KOYO UCFCX08 bearing units

Bearing No. UCFCX08

Bore Diameter	40 mm
d	40 mm
H3	92 mm
A4	39,2 mm
A1	26 mm
B	49,2 mm
J	111 mm
L	133 mm
N	12 mm
S	19 mm
Bolt (G)	M10
A2	9 mm
A3	11 mm
J1	78,5 mm
Weight	2 Kg
Basic dynamic load rating (C)	34,1 kN
Basic static load rating (C0)	21,3 kN
Bearing No.	UCFCX08
Bolt size	M10
Cr	32.7
C0r	20.3
f0	14.0
(Refer.)Unit mass(kg)	2.0
Nipple size	1/4-28UNF