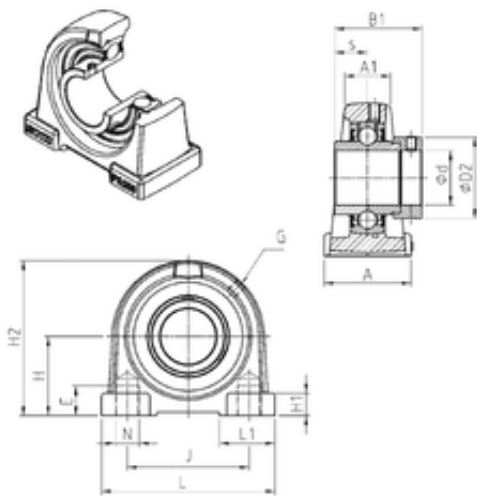




Bearing equipment manufacturing Co., Ltd



SNR EXPA205 bearing units

Bearing No. EXPA205

Bore Diameter	25 mm
d	25 mm
s	17,4 mm
A	38 mm
A1	23 mm
B1	44,3 mm
D2	38,1 mm
E	15 mm
H	36,5 mm
H1	12 mm
H2	72 mm
J	56 mm
L	84 mm
L1	27 mm
Thread (G)	M6x1
Thread (N1)	M10
Weight	0,8 Kg
Basic dynamic load rating (C)	14 kN

EXPA205 Bearing 2D drawings and 3D CAD models