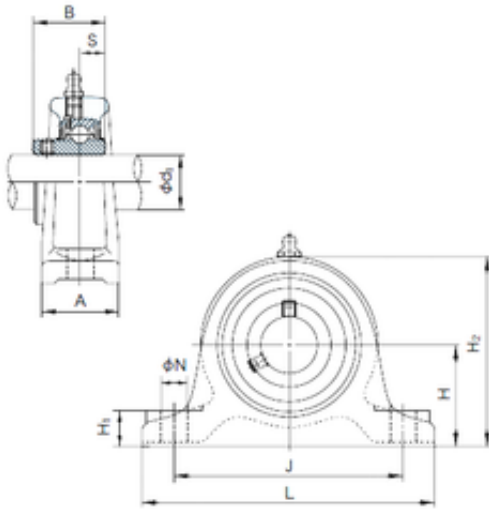




Bearing equipment manufacturing Co., Ltd



UCIP212 Bearing 2D drawings and 3D CAD models

NACHI UCIP212 bearing units

Bearing No. UCIP212

Bore Diameter	60 mm
Width	65.1 mm
d	60 mm
A	70 mm
B	65.1 mm
H	80 mm
H1	30 mm
H2	155 mm
J	200 mm
L	260 mm
N	22 mm
S	25.4 mm
Bolt (G)	M20