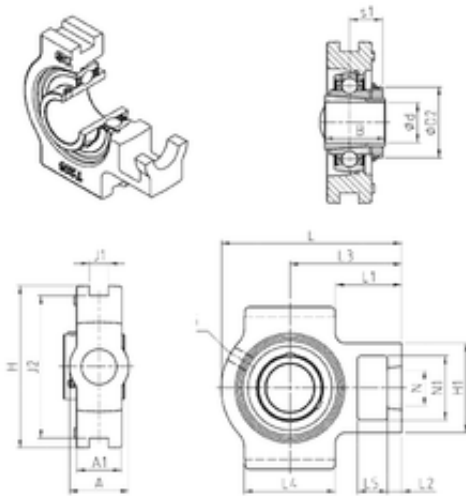




# Bearing equipment manufacturing Co., Ltd



UKT313H Bearing 2D drawings and 3D CAD models

## SNR UKT313H bearing units

Bearing No. UKT313H

Bore Diameter	60 mm
d	60 mm
L4	134 mm
L5	32 mm
L2	27 mm
L3	146 mm
s1	38,5 mm
A	80 mm
A1	50 mm
B	65 mm
D2	85 mm
H	190 mm
H1	116 mm
L	238 mm
L1	79 mm
N	43 mm
N1	70 mm
Thread (G)	M6x1
J1	26 mm
J2	170 mm
Weight	9,5 Kg
Basic dynamic load rating (C)	93,86 kN
A2	50 mm
A5	38.5 mm
B1	65 mm
d1	85 mm



## Bearing equipment manufacturing Co., Ltd

G	M6x1
H2	116 mm
N2	70 mm
C	93.86 kN
C0	60.5 kN
T min.	-20 ° C
T max.	100 ° C
Adapter sleeve reference	H2313
Designation of housing	T313-
Designation of bearing	UK313G2H