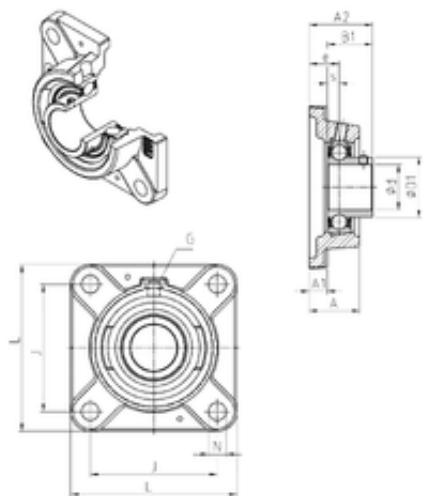




Bearing equipment manufacturing Co., Ltd



SNR USFE206 bearing units

Bearing No. USFE206

| | |
|-------------------------------|---------|
| Bore Diameter | 30 mm |
| d | 30 mm |
| e | 20 mm |
| s | 8 mm |
| A | 33,5 mm |
| A1 | 12 mm |
| B1 | 30 mm |
| D1 | 40,3 mm |
| J | 82,5 mm |
| L | 108 mm |
| N | 11,5 mm |
| Thread (G) | R1/8" |
| A2 | 42 mm |
| Weight | 1,1 Kg |
| Basic dynamic load rating (C) | 19,5 kN |

USFE206 Bearing 2D drawings and 3D CAD models