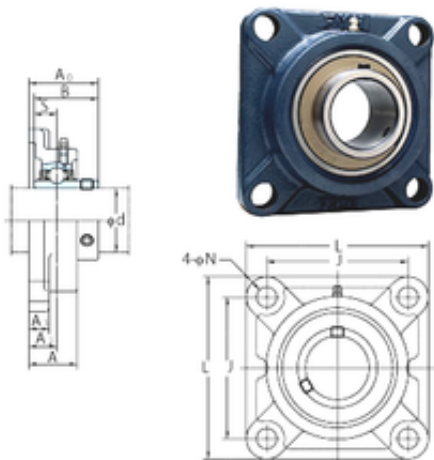




Bearing equipment manufacturing Co., Ltd



FYH UCF215-48 bearing units

Bearing No. UCF215-48

Bore Diameter	76,2 mm
d	76,2 mm
A0	78,5 mm
A	56 mm
A1	22 mm
B	77,8 mm
J	159 mm
L	200 mm
N	19 mm
S	33,3 mm
Bolt (G)	M16
A2	34 mm
Weight	6,4 Kg
Basic dynamic load rating (C)	67,4 kN
Basic static load rating (C0)	48,3 kN

UCF215-48 Bearing 2D drawings and 3D CAD models