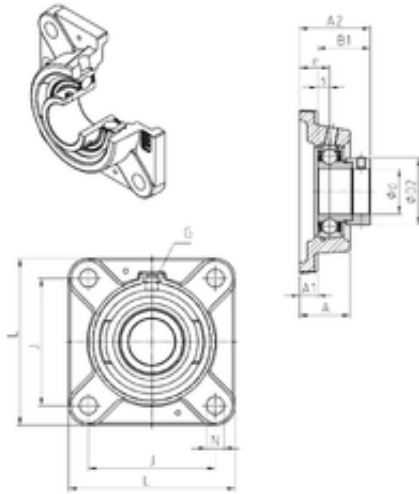




# Bearing equipment manufacturing Co., Ltd



## SNR ESFE212 bearing units

Bearing No. ESFE212

Bore Diameter	60 mm
d	60 mm
e	34 mm
s	12 mm
A	53,5 mm
A1	16 mm
B1	49,3 mm
D2	84,2 mm
J	143 mm
L	175 mm
N	18 mm
Thread (G)	R1/8"
A2	71,3 mm
Weight	4,6 Kg
Basic dynamic load rating (C)	52,5 kN

ESFE212 Bearing 2D drawings and 3D CAD models