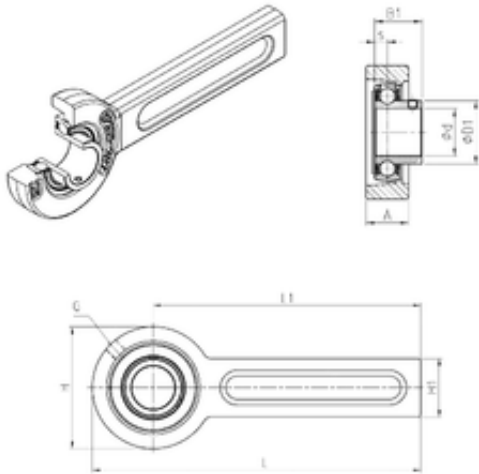




Bearing equipment manufacturing Co., Ltd



USSP205 Bearing 2D drawings and 3D CAD models

SNR USSP205 bearing units

Bearing No. USSP205

Bore Diameter	25 mm
d	25 mm
s	7,5 mm
A	21 mm
B1	27 mm
D1	34 mm
H	78 mm
H1	41 mm
L	264 mm
L1	225 mm
Thread (G)	R1/8"
Weight	1,7 Kg
Basic dynamic load rating (C)	14 kN
B	27 mm
A5	19.5 mm
G	R1/8"
H2	41 mm
s1	13.5 mm
S	7.5 mm
SW	3 mm
C	14 kN
C0	7.88 kN
T min.	-20 ° C
T max.	100 ° C
Recommended tightening torque for set screw	5.5 Nm



Bearing equipment manufacturing Co., Ltd

Designation of housing	SP203-205/52-
Designation of bearing	US205G2