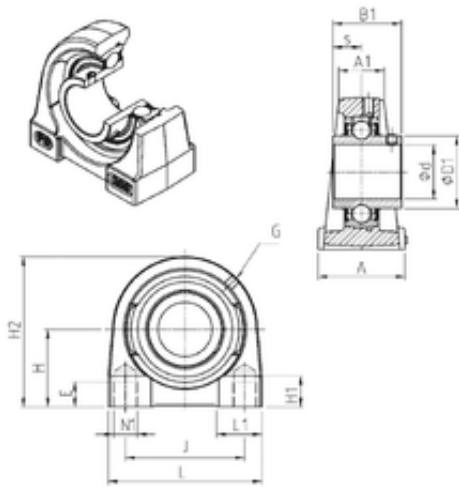




# Bearing equipment manufacturing Co., Ltd



## SNR UCPG209 bearing units

Bearing No. UCPG209

Bore Diameter	45 mm
d	45 mm
s	19 mm
A	54 mm
A1	33 mm
B1	49,2 mm
D1	57,2 mm
E	22 mm
H	53,9 mm
H1	20 mm
H2	106 mm
J	85 mm
L	120 mm
L1	40 mm
Thread (G)	M6x1
Thread (N1)	M12
Weight	2,2 Kg
Basic dynamic load rating (C)	31,85 kN

UCPG209 Bearing 2D drawings and 3D CAD models