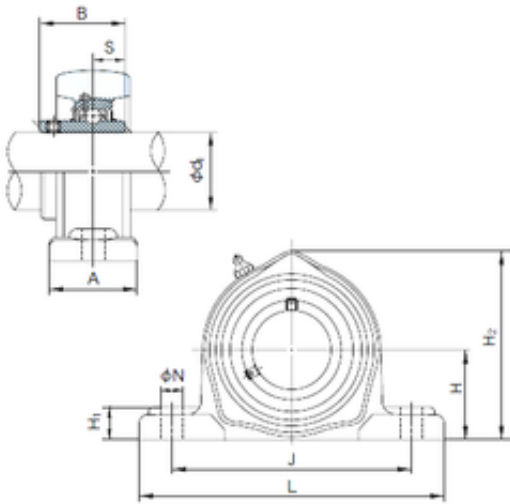




Bearing equipment manufacturing Co., Ltd



UCPK324 Bearing 2D drawings and 3D CAD models

NACHI UCPK324 bearing units

Bearing No. UCPK324

Bore Diameter	120 mm
Width	126 mm
d	120 mm
A	130 mm
B	126 mm
H	160 mm
H1	70 mm
H2	328 mm
J	450 mm
L	555 mm
N	38 mm
S	51 mm
Bolt (G)	M33