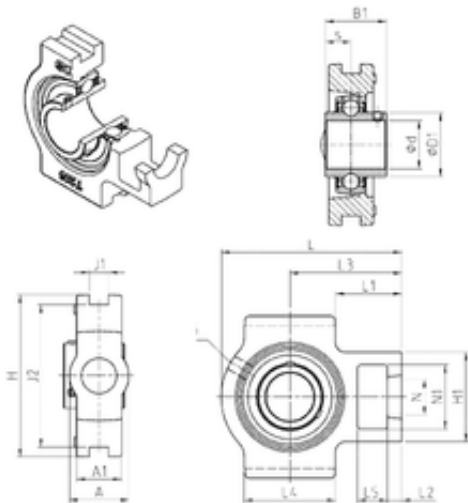




## Bearing equipment manufacturing Co., Ltd



### SNR UCT306 bearing units

Bearing No. UCT306

Bore Diameter	30 mm
d	30 mm
L4	74 mm
L5	18 mm
L2	16 mm
L3	85 mm
s	17 mm
A	41 mm
A1	28 mm
B1	43 mm
D1	44,6 mm
H	100 mm
H1	70 mm
L	137 mm
L1	48 mm
N	28 mm
N1	41 mm
Thread (G)	M6x1
J1	16 mm
J2	90 mm
Weight	1,8 Kg
Basic dynamic load rating (C)	27 kN
A2	28 mm
B	43 mm
A5	26 mm
G	M6x1

UCT306 Bearing 2D drawings and 3D CAD models



## Bearing equipment manufacturing Co., Ltd

H2	70 mm
N2	41 mm
s1	21.5 mm
S	17 mm
SW	3 mm
C	27 kN
C0	15.2 kN
T min.	-20 ° C
T max.	100 ° C
Recommended tightening torque for set screw	5.5 Nm
Designation of housing	T306-
Designation of bearing	UC306G2