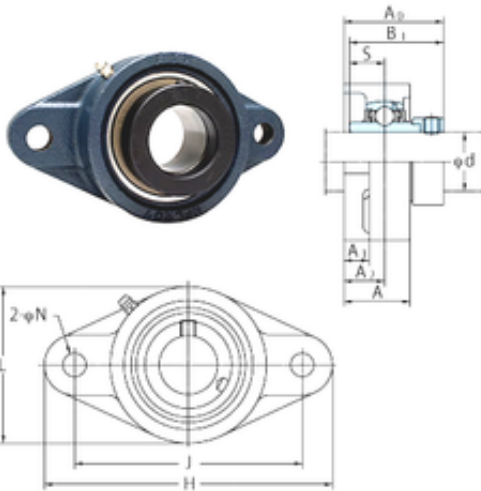




Bearing equipment manufacturing Co., Ltd



FYH NANFL211-34 bearing units

Bearing No. NANFL211-34

Bore Diameter	53,975 mm
d	53,975 mm
A0	75,6 mm
A	50 mm
A1	20 mm
B1	71,4 mm
H	224 mm
J	184 mm
L	130 mm
N	16,5 mm
S	27,8 mm
Bolt (G)	9/16
A2	32 mm
Weight	4,1 Kg
Basic dynamic load rating (C)	43,4 kN
Basic static load rating (C0)	29,4 kN

NANFL211-34 Bearing 2D drawings and 3D CAD models