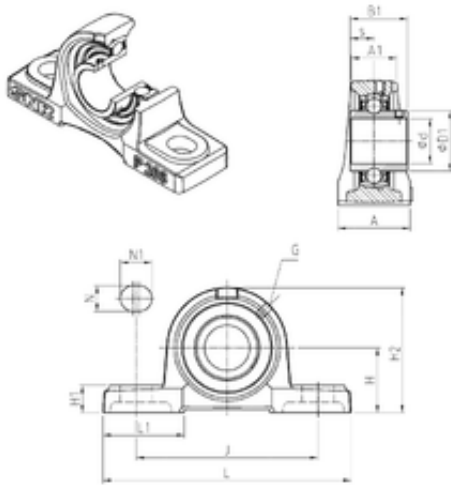




Bearing equipment manufacturing Co., Ltd



UCP213 Bearing 2D drawings and 3D CAD models

SNR UCP213 bearing units

Bearing No. UCP213

Bore Diameter	65 mm
d	65 mm
s	25,4 mm
A	70 mm
A1	46 mm
B1	65,1 mm
D1	82 mm
H	76,2 mm
H1	27 mm
H2	150 mm
J	203 mm
L	265 mm
L1	77 mm
N	25 mm
N1	29 mm
Thread (G)	M6x1
Weight	6,1 Kg
Basic dynamic load rating (C)	57,2 kN