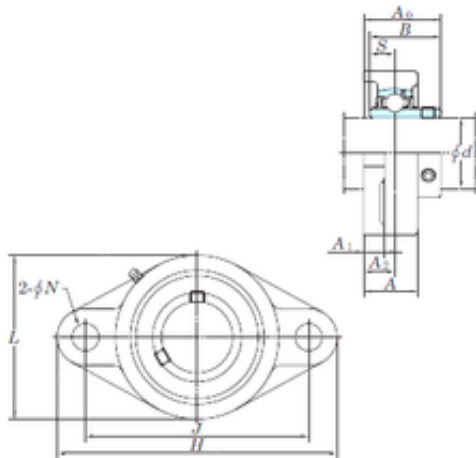




Bearing equipment manufacturing Co., Ltd



KOYO UCFL217E bearing units

Bearing No. UCFL217E

Bore Diameter	85 mm
d	85 mm
A0	87,6 mm
A	63 mm
A1	22 mm
B	85,7 mm
H	305 mm
J	248 mm
L	190 mm
N	19 mm
S	34,1 mm
A2	36 mm
Weight	9,8 Kg
Basic dynamic load rating (C)	84 kN
Basic static load rating (C0)	61,9 kN

UCFL217E Bearing 2D drawings and 3D CAD models