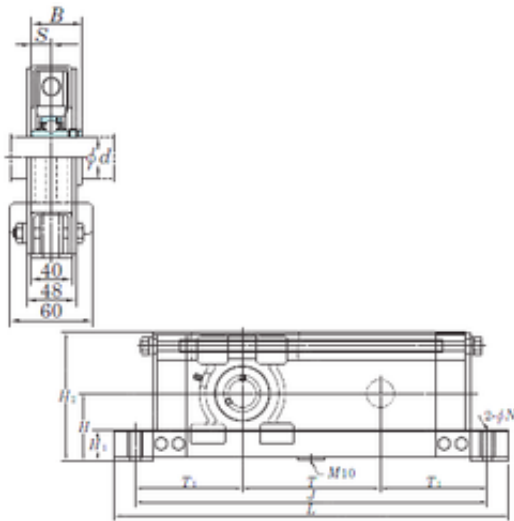




Bearing equipment manufacturing Co., Ltd



KOYO UCTL209-400 bearing units

Bearing No. UCTL209-400

Bore Diameter	45 mm
Width	49,2 mm
d	45 mm
T1	160 mm
B	49,2 mm
H	100 mm
H1	44 mm
H2	192 mm
J	720 mm
L	780 mm
N	15 mm
S	19 mm
T	400 mm
Bolt (G)	M12
Weight	11 Kg
Basic dynamic load rating (C)	34,1 kN
Basic static load rating (C0)	21,3 kN

UCTL209-400 Bearing 2D drawings and 3D CAD models