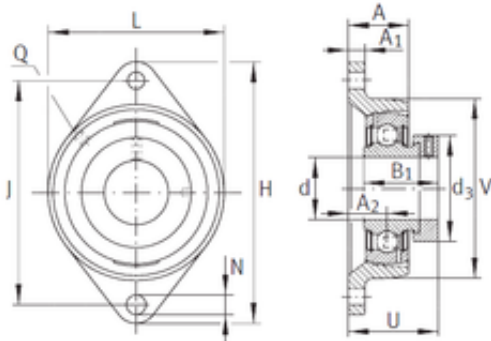




# Bearing equipment manufacturing Co., Ltd

## INA PCJT2-7/16 bearing units



Bearing No. PCJT2-7/16

Bore Diameter	61,913 mm
d	61,913 mm
V	140,005 mm
U	73,609 mm
Thread (Q)	1/8 NPT
d3	83,998 mm
A	49,505 mm
A1	18,009 mm
B	53,111 mm
H	238,989 mm
J	202,006 mm
L	140,005 mm
N	18,009 mm
A2	34,011 mm
Category	Bearings
Inventory	0.0
Manufacturer Name	SCHAEFFLER GROUP
Minimum Buy Quantity	N/A
Weight / Kilogram	3.892
Product Group	M06110

PCJT2-7/16 Bearing 2D drawings and 3D CAD models