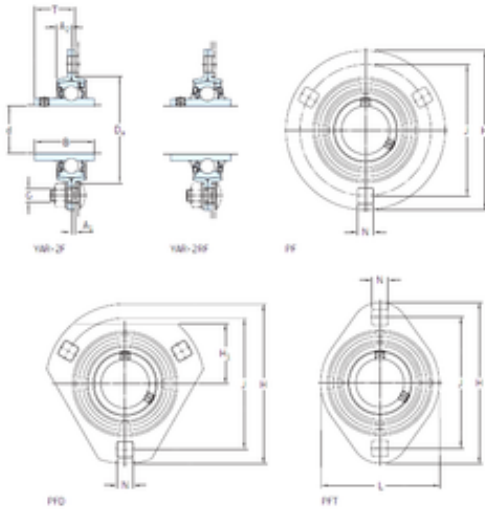




Bearing equipment manufacturing Co., Ltd



PF 25 RM Bearing 2D drawings and 3D CAD models

SKF PF 25 RM bearing units

Bearing No. PF 25 RM

Bore Diameter	25 mm
Width	27,2 mm
d	25 mm
Da	60 mm
A1	2 mm
B	27,2 mm
G	8 mm
H	95 mm
H1	– mm
J	76 mm
L	–
N	8,7 mm
T	21,5 mm
A2	9 mm
Weight	0,33 Kg
Basic dynamic load rating (C)	14 kN
Basic static load rating (C0)	7,8 kN
Housing material	Pressed steel
A ₁	2 mm
A ₂	9 mm
B ₄	5 mm
D _a min.	56 mm
s ₁	19.5 mm
Basic dynamic load rating C	14 kN
Basic static load rating C ₀	7.8 kN
Fatigue load limit P _u	0.335 kN



Bearing equipment manufacturing Co., Ltd

Permissible radial housing load max.	3.6 kN
Mass unit	0.32 kg
Thread grub screw G_2	M6x0.75
Hexagonal key size for grub screw N	3 mm
Recommended tightening torque for grub screw	4 N · m
Recommended diameter for attachment bolts, mm G	8 mm
Recommended diameter for attachment bolts, inch G	0.3125 in